

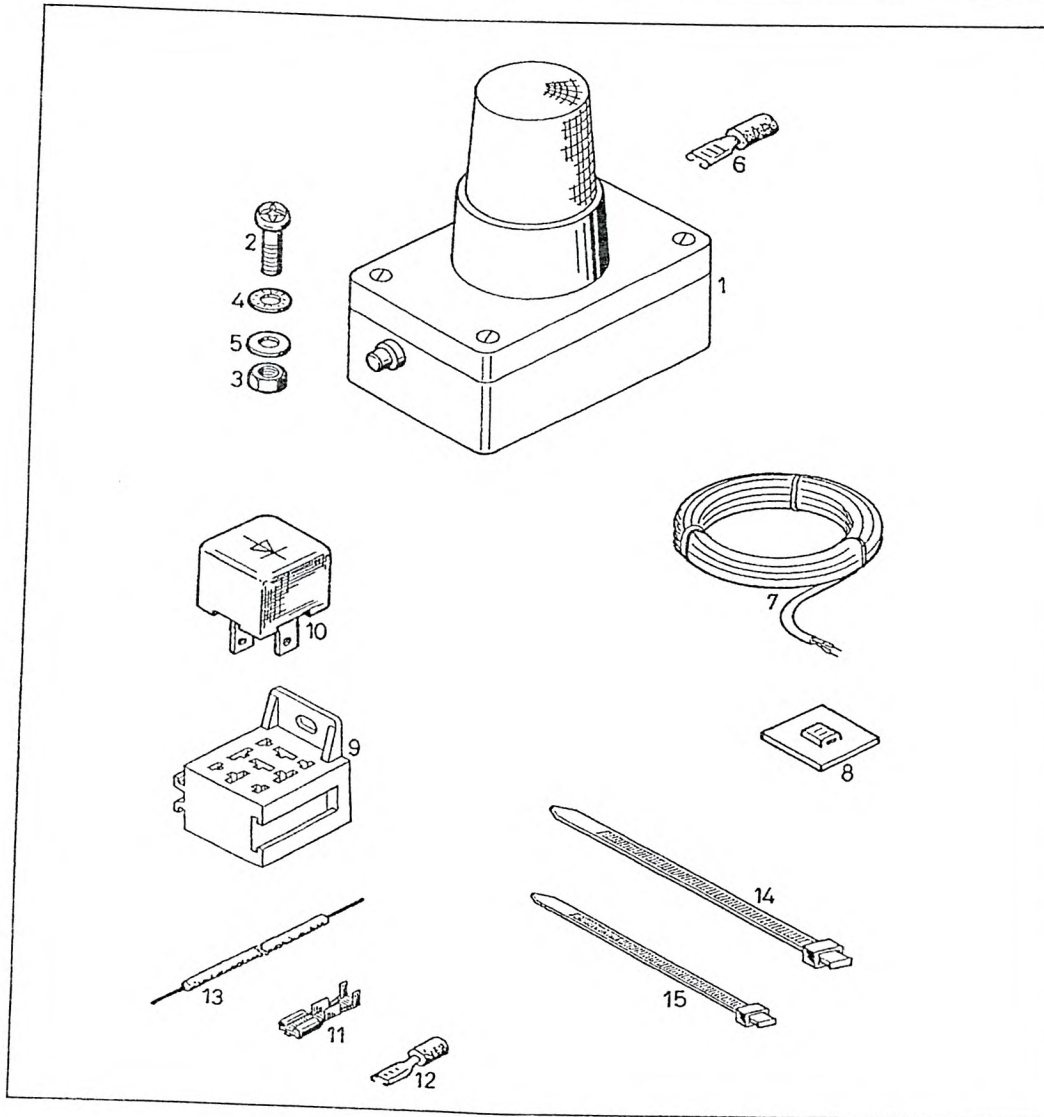
WARNING SIGNAL
 WARNSIGNAL-ENB.“LMB“SCK ALARM
 SIGNAL D AVERTISSEMENT

997-077-40955

Figure
 Bild
 Figure

7740955

1730-01



| Item Pos. Réf | Part No. Teil-Nr. Pièce No | Designation Benennung Désignation | all alle tous | Qty/assy Stck/Variante Pièce/ensemble | | | | | | | | Figure Bild Figure | |
|---------------------|----------------------------------|--|---------------------|--|---|---|---|---|---|---|---|--------------------------|--|
| | | | | A | B | C | D | E | F | G | H | | |
| 1 | 997-070-00819 | SIGNAL TRANSMITTER SIGNALGEBER TRANSMETTEUR SIGNAL | 1 | | | | | | | | | | |
| 2 | 997-031-24030 | FILLISTER HEAD SCREW M3X20 LINSENSCHRAUBE VIS A TETE BOMBEE | 2 | | | | | | | | | | |
| 3 | 997-078-32392 | HEX NUT M3 6KT-MUTTER ECROU HEXAGONALE | 2 | | | | | | | | | | |
| 4 | 997-084-03776 | LOCKWASHER 3 SICH-SCHEIBE RONDELLE SECURITE | 2 | | | | | | | | | | |
| 5 | 997-084-08951 | DISK 3,2 SCHEIBE RONDELLE | 2 | | | | | | | | | | |
| 6 | 997-002-15000 | FLAT PLUG SLEEVE 6,3-2,5 FLACHSTECKHUELSE DOUILLE ENFICHFLAT | 2 | | | | | | | | | | |
| 7 | 997-077-30983 | CABLE 2X1,0 KABEL CABLE SPECIAL | 9m | | | | | | | | | | |
| 8 | 997-002-71361 | MOUNTING BASE BEFESTIGUNGSSOCKEL SOCLE DE FIXATION | 8 | | | | | | | | | | |
| 9 | 997-077-30181 | BASE HOUSING SOCKELGEHAEUSE BOITIER DE SOCLE | 1 | | | | | | | | | | |
| 10 | 997-077-23793 | DIODE 4X3A DIODE DIODE | 1 | | | | | | | | | | |
| 11 | 997-077-30037 | FLAT PLUG SLEEVE 6,3-2,5 FLACHSTECKHUELSE DOUILLE ENFICHABLE | 3 | | | | | | | | | | |
| 12 | 997-084-66745 | FLAT PLUG SLEEVE 2,8-1 FLACHSTECKHUELSE DOUILLE ENFICHFLAT | 4 | | | | | | | | | | |
| 13 | 997-001-46513 | CABLE B1 BLACK LEITUNG SCHWARZ CABLE NOIR | 1m | | | | | | | | | | |
| 14 | 997-009-84467 | CABLE TIE 7,6X368 KABELBINDER ATTACHE CABLE | 10 | | | | | | | | | | |
| 15 | 997-007-26789 | CABLE TIE 4,8X188 KABELBINDER ATTACHE CABLE | 10 | | | | | | | | | | |